



Best Choice for Residential



MONO-FACIAL MODULE

DM415M10-54HBB



Aesthetics

Ultimate look of black modules, perfectly matching the owner's aesthetic pursuit



Quality

Over 40 years of manufacturing experience in house wafer, cell and module



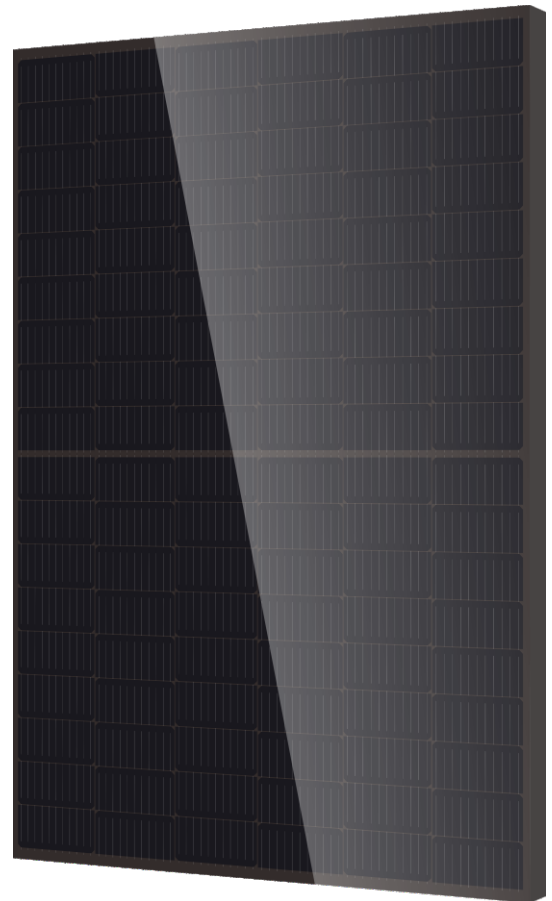
Guarantee

Warranty comes from one of the most financially healthy PV providers

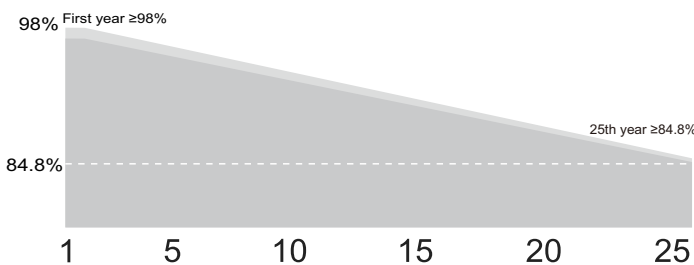


Service

Customer-oriented and local services



Warranty



25 Years product warranty

25 Years power output warranty

*25 years product warranty is only valid for this type of modules installed in residential rooftop PV systems in Australia.

A Member of the Hengdian Group

Ver:20230802A2

Electrical Specifications

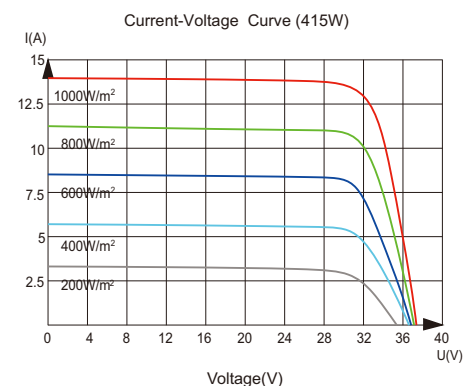
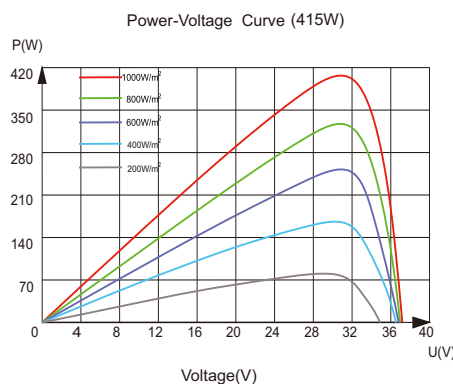
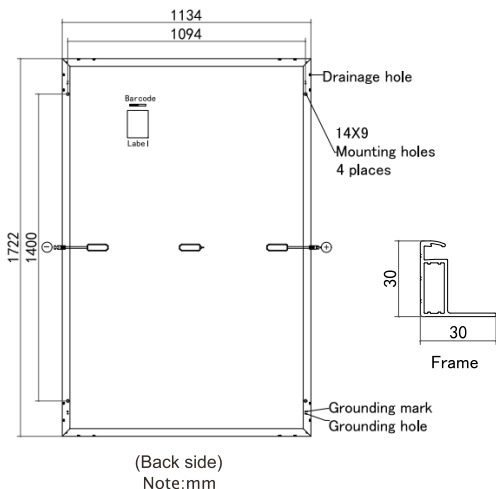
Module Type	DM415M10-54HBB DM415M10-54HBB-V	
Testing Condition	STC	NOCT
Maximum Power (Pmax/W)	415	315
Maximum Power Current (Imp/A)	13.29	10.52
Maximum Power Voltage (Vmp/V)	31.27	29.90
Short-circuit Current (Isc/A)	14.13	11.33
Open-circuit Voltage (Voc/V)	37.45	35.57
Module Efficiency STC (%)	21.25%	
Pmax Tolerance ±3% STC:AM1.5 1000W/m ² 25°C NOCT:AM1.5 800W/m ² 20°C 1m/s Measurement uncertainty:±3%		

Mechanical Data	
Cell Type	P type Mono-crystalline
Cell Arrangement	108(6x18)
Module Dimensions	1722x1134x30mm
Weight	21.2kg
Module Structure	Glass/Encapsulant/Backsheet
Glass Thickness	3.2mm
PV Module Classification	Class II
Junction Box Rating	IP68
Cables	4mm ² /1100mm or Customized Length
Connector Type	PV-ZH202B or MC4 (1000V) PV-ZH202B or MC4-EVO 2A (1500V)

Packaging	
Pallet Dimensions	1770×1140×1250mm
Container	40'HQ
Pieces per Pallet	36
Pieces per Container	936

Temperature Characteristics	
Nominal Operating Cell Temperature(NOCT)	42±3°C
Temperature Coefficient of Isc	+0.0448%/°C
Temperature Coefficient of Voc	-0.246%/°C
Temperature Coefficient of Pmax	-0.330%/°C

Maximum Ratings			
Operating Temperature	-40°C to+85°C	Maximum Series Fuse Rating	25A
Maximum Load Capacity	Snow 5400Pa/Wind 2400Pa	Number of Diodes	3
Maximum System Voltage	1000V/1500V DC(IEC)	Fire Rating Class	Class C



Statement: Due to technological progress, product parameters will be adjusted accordingly; When signing the contract, the latest data of the company shall prevail.